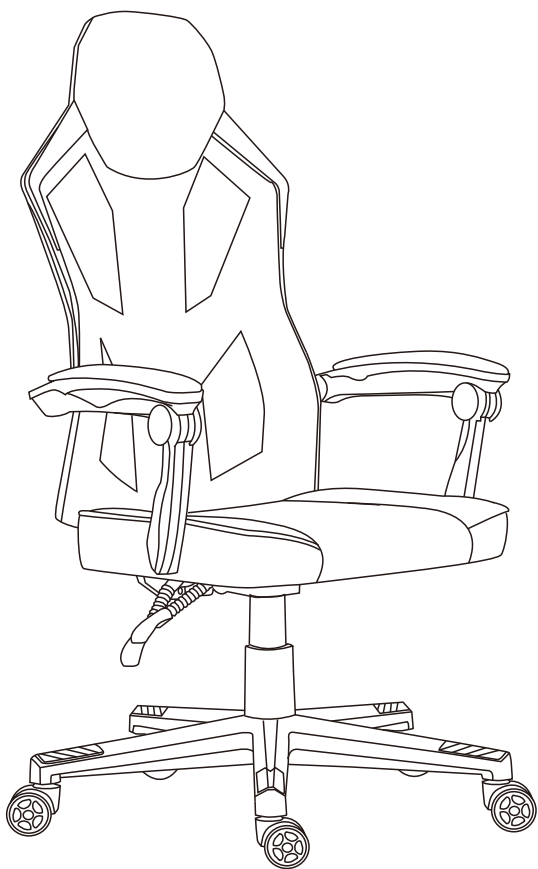


P01

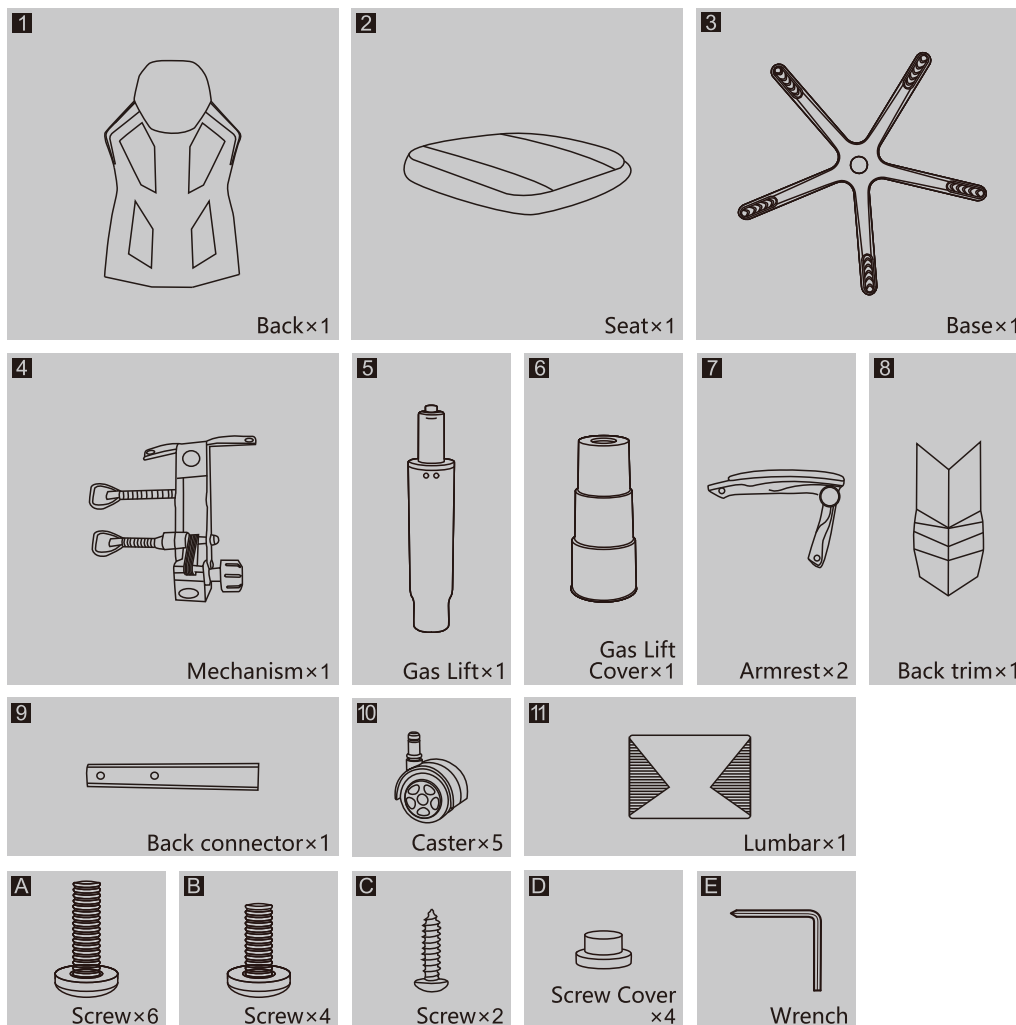
1STPLAYER GAMING CHAIR
USER MANUAL 说明书



• CAUTIONS / 注意

1. Keep away from fire, direct sunlight and wet environment./ 请避免火灾, 阳光直射和潮湿的环境。
2. Do not put the chair on a high or unstable place, in case of falling down./ 请勿将椅子放在高处或不稳定的地方, 以免跌落。
3. Be aware of the kids when they are climbing the chair./ 请注意小孩在椅子上攀爬。
4. Be aware of the natural loosen of the bolts after long-time using, avoid sharp things scratch the chair. / 长期使用后请注意螺栓的自然松动, 避免尖锐的东西划伤椅子。

• ACCESSORIES / 配件

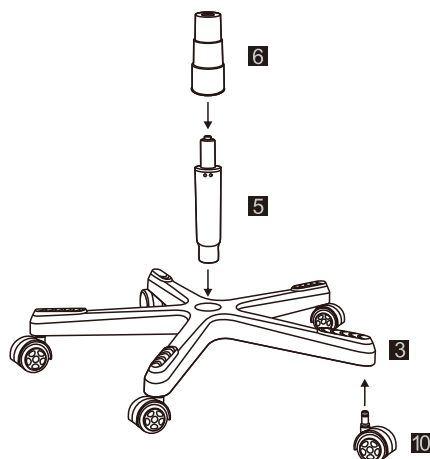


• MOUNTING DIAGRAM / 安装图

STEP 1 / 步骤一

Install part 10, part 5 and part 6 in the part 3.

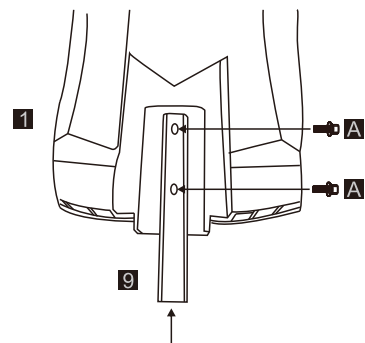
在五星椅脚上安装椅轮，气压棒和气压棒盖。



STEP 2 / 步骤二

Install part 9 in part 1 with part A.

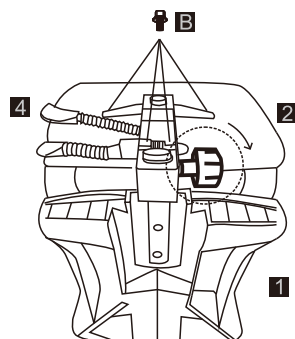
用螺栓将椅体连接杆固定在椅背。



STEP 3 / 步骤三

Lock part 4 on the part 2 with part B. Aim the hole of part 4, then put the back with part 10 down. Twist the knob in the clockwise direction to tighten.

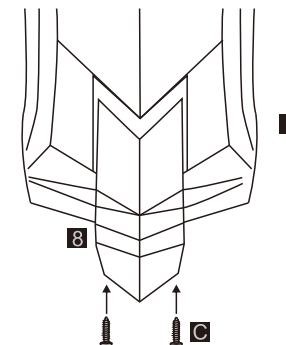
用螺栓将底盘锁定。对准底盘五金孔位放入椅体连接杆，沿顺时针方向旋转旋钮拧紧。



STEP 4 / 步骤四

Lock part 8 on the on part 1 with part C.

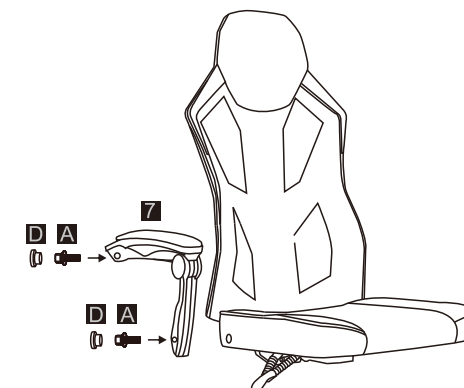
将背饰安装在靠背上。



STEP 5 / 步骤五

Lock part 7 with part A, and then attach the part D on it.

扶手对准左右两侧的螺栓孔，锁好螺栓，然后将螺栓盖安装在其上。



STEP 6 / 步骤六

Aim at the top of gas lift and the hole of mechanism, then put the chair body down.

对准气压棒顶部和底盘孔，然后将椅体放下。

