

MEGAVIEW

MODEL: MV6-TRANSPARENT

PC GAMING CASE



FEATURES:

1. TRANSPARENT
2. SUPPORT 360 COOLING
3. SUPPORT 12CM FAN 9PCS
4. DOUBLE-SIDED TEMPERED GLASS



REVISED HISTORY

Version 1.0

Edited by EVE

2022.12

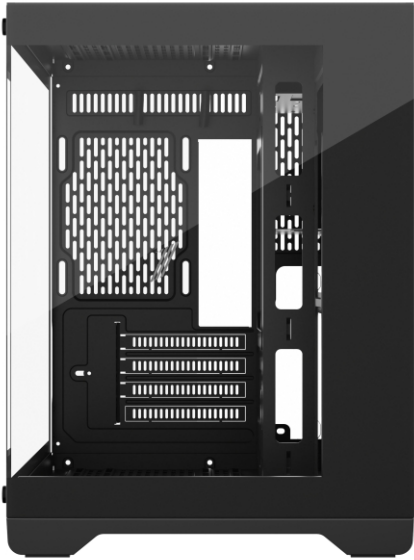
SPECIFICATIONS

MODEL	MV6-TRANSPARENT
DIMENSIONS(L*W*H)	STRUCTURE:412*280*350MM PRODUCT: 415*280*377MM PACKAGE: 435*340*490MM
STRUCTURE THICKNESS	0.6MM
MATERIALS	SPCC 0.6MM F&L SIDE PANEL: TEMPERED GLASS
FORM FACTOR	M-ATX/ITX
DRIVE BAYS	5.25" CD ROM: 0 3.5" HDD: 2+2.5" SSD: 3
CPU MAX H	160MM
VGA MAX L	400MM
I/O PANEL	USB3.0*2+HD AUDIO
PCI CARD SLOT	4
FAN SUPPORT	ON THE LEFT OF THE FRONT SIDE: 2*12CM TOP: 3*12CM REAR: 1*12CM BOTTOM: 3*12CM
LIQUID COOLING SUPPORT	TOP: 36CM
POWER SUPPLY SUPPORT	BOTTOM MOUNT
WEIGHT	N.W.: 4.57KG G.W.: 5.37KG



**PC GAMING CASE
MV6-TRANSPARENT**

PICTURES



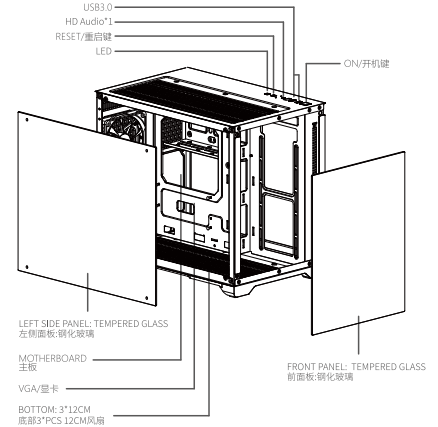
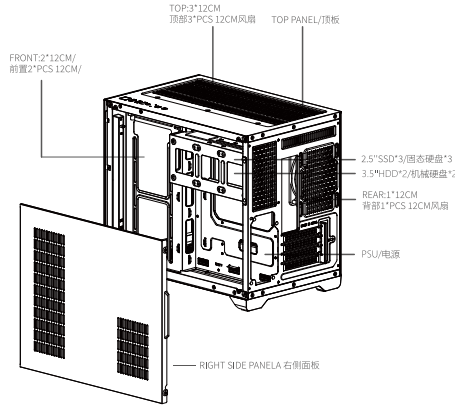
PC GAMING CASE
MV6-TRANSPARENT

USER MANUAL



1STPLAYER GAMING CASE
首席玩家游戏机箱
USER MANUAL 说明书

ASSEMBLY VIEW 装配视图



A. MOTHERBOARD/主板

1. THE HOLES OF MOTHERBOARD SCREW ALIGN WITH THE HEXAGON PILLARS
主板螺丝孔位对准六角铆柱
2. FIX THE MOTHERBOARD AND CASE WITH MOTHERBOARD SCREW
使用主板螺丝把主板与机箱固定
3. CPU MAX H: 160MM
机箱支持160MM高CPU散热器

MOTHERBOARD SPECIFICATIONS/主板规格

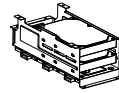


B. VGA CARD/显卡

1. INSERT THE VGA CARD TO THE PCI-E X4 CARD SLOT OF MOTHERBOARD
显卡插入主板PCI-E X4卡槽
2. FIX THE VGA CARD WITH HEXAGONAL SCREWS
六角螺丝固定显卡
3. RESERVING THE VGA CARD SLOTS FOR THE CASE, WHICH CAN ADJUST IT SELF ACCORDING TO THE OUTPUT PORT OF VGA CARDS
机箱预留显卡卡槽,可根据显卡输出接口自行调节
4. VGA MAX L: 400MM
机箱支持400MM长

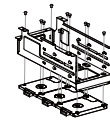
C. POWER SUPPLY/电源

1. PSU BOTTOM MOUNT
下置电源仓
2. THE HOLES OF PSU ALIGN WITH THE RESERVED HOLE FOR CASE
电源孔位对准机箱预留的电源孔位
3. FIX WITH THE HEXAGONAL SCREWS
用六角螺丝固定



D. HDD

1. SUPPORT 3.5"HDD*2
支持3.5"HDD*2
2. THE SCREW HOLES OF HDD ALIGN WITH THE HDD HOLES, LOCKED THE HDD SCREW/HDD 螺丝孔位对准HDD孔位,锁上HDD螺丝



E. SSD

1. SUPPORT 2.5"SSD*3
支持2.5"SSD*3
2. THE HOLES OF SSD ALIGN WITH THE RESERVED HOLE FOR CASE/SSD 螺丝孔位对准SSD孔位,锁上SSD螺丝
3. FIX SSD WITH THE MOTHERBOARD SCREWS
用主板螺钉固定SSD

F. LIQUID COOLER/冷排

1. TOP: 36CM支持顶部36CM冷排

G. FAN/风扇

使用风扇螺丝把风扇与机箱固定

1. FRONT: 2"12CM支持前置2"PC 12CM机箱风扇
2. TOP: 3"12CM支持顶部3"PC 12CM机箱风扇
3. REAR: 1"12CM支持后置1"PC 12CM机箱风扇
4. BOTTOM: 3"12CM支持底部3"PC 12CM机箱风扇

MEGAVIEW

1STPLAYER GAMING CASE

WWW.1STPLAYER.COM



PC GAMING CASE MV6-TRANSPARENT